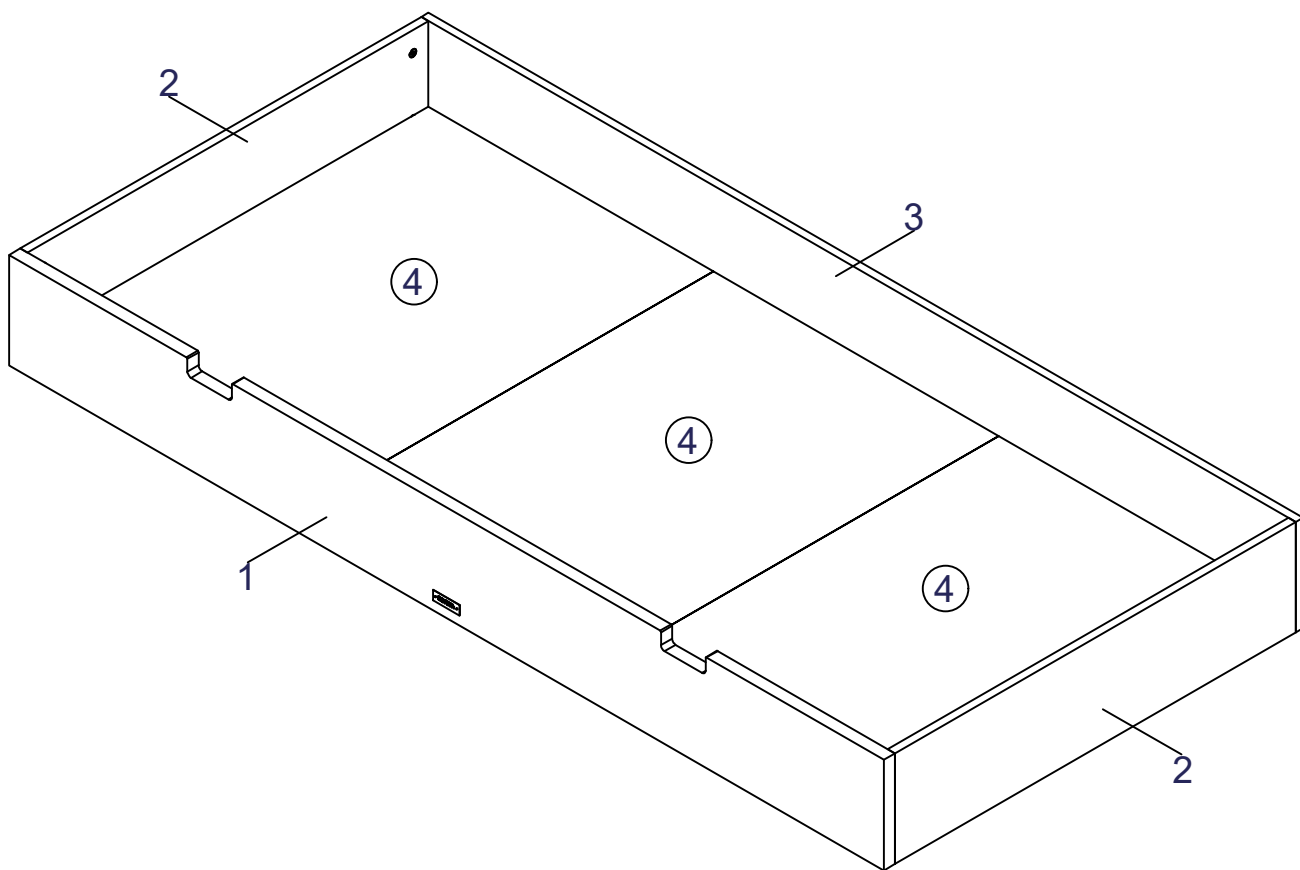




ASSEMBLY INSTRUCTION  
MONTAGE HANDLEIDING  
MONTAGE ANLEITUNG  
NOTICE DE MONTAGE  
MANUAL DE MONTAJE

UK  
NL  
D  
F  
ESP

MODEL :  
TYPE :DRAWER 90X200  
COLOUR :DUNE  
ART.CODE :5873.35





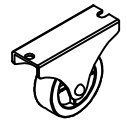

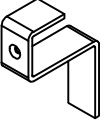
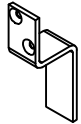



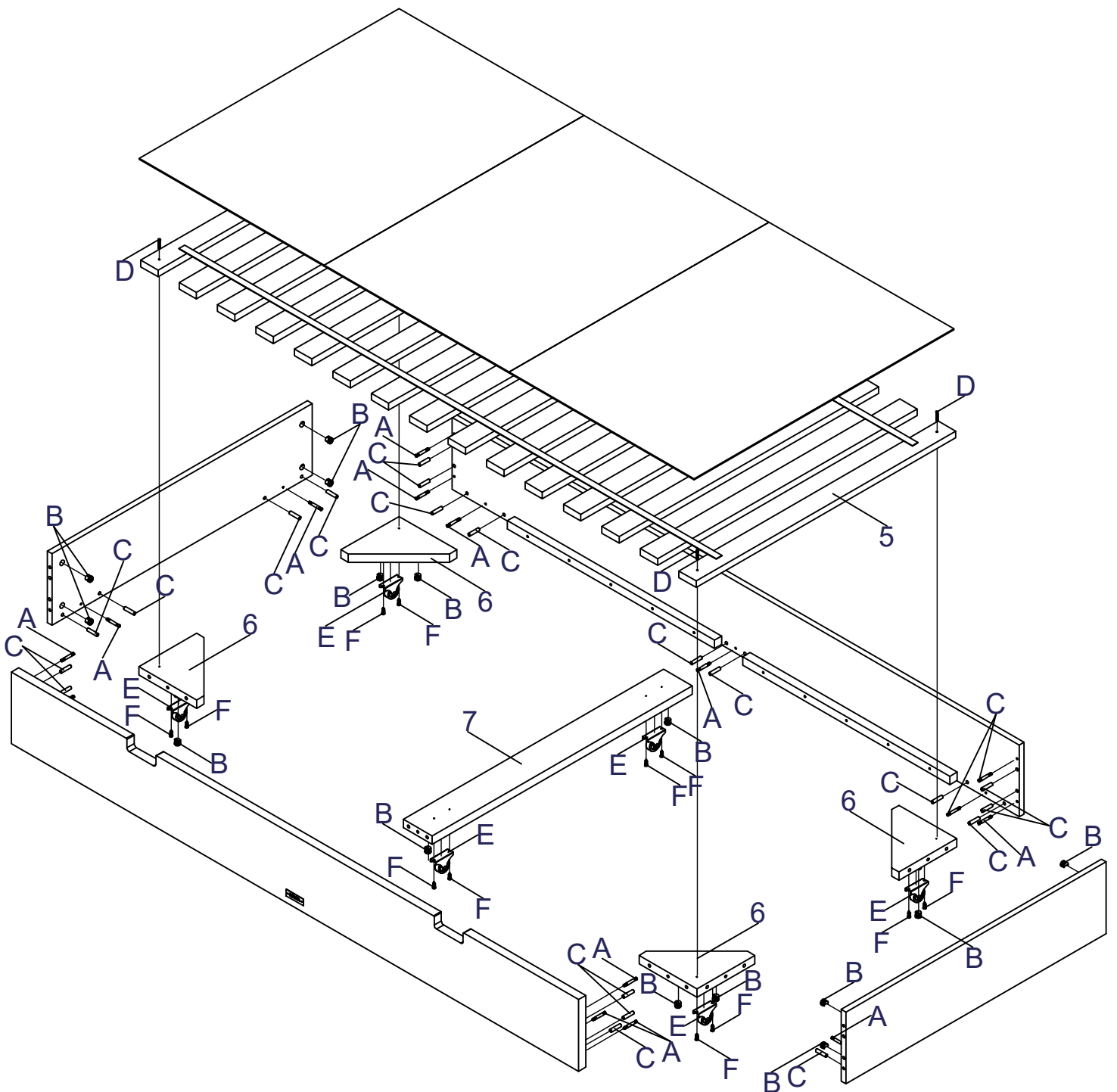
Distributor:

BOPITA  
Energieweg 1  
6662 NS Elst  
The Netherlands

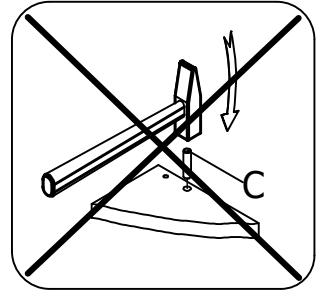
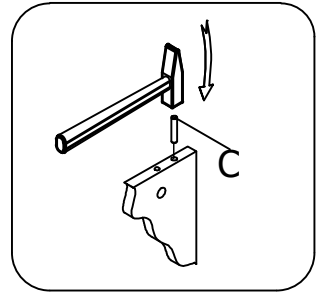
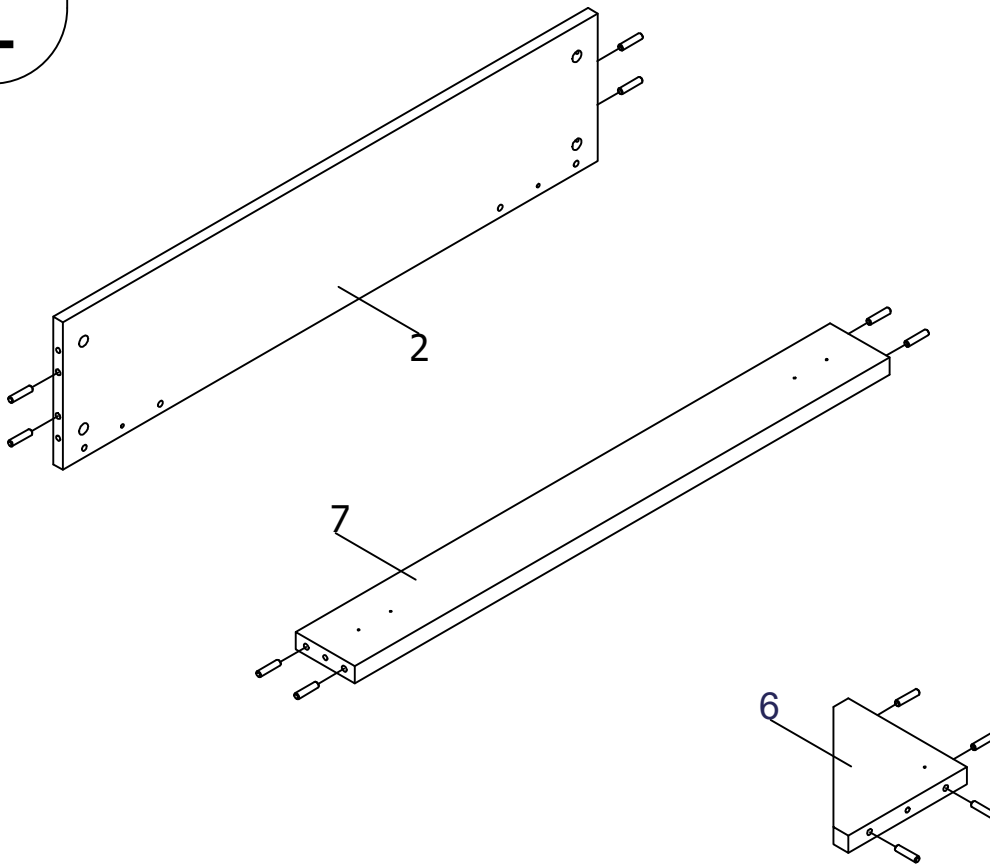
[www.bopita.com](http://www.bopita.com)

21.06.2024.

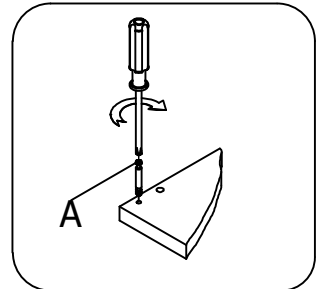
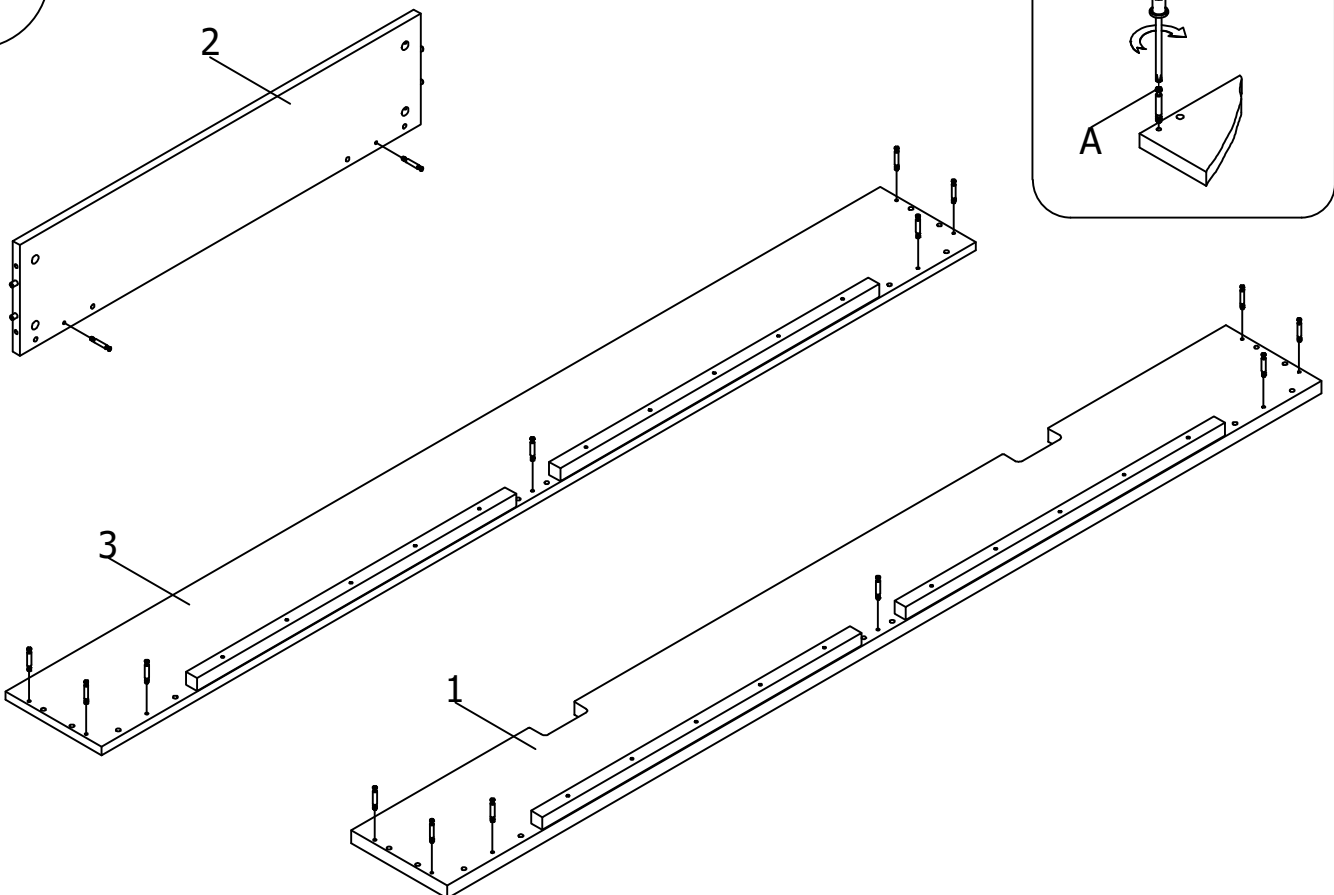
 18X	 18X	 Ø8X35 28X	 3,5X30 4X	 6X	 4X16 12X
artcode: 444003	artcode: 444004	artcode:	artcode: 431009	artcode: 973006	artcode: 431011
 2X	 2X	 3,5X25 4X			
artcode: 897019	artcode: 897018	artcode: 431008			



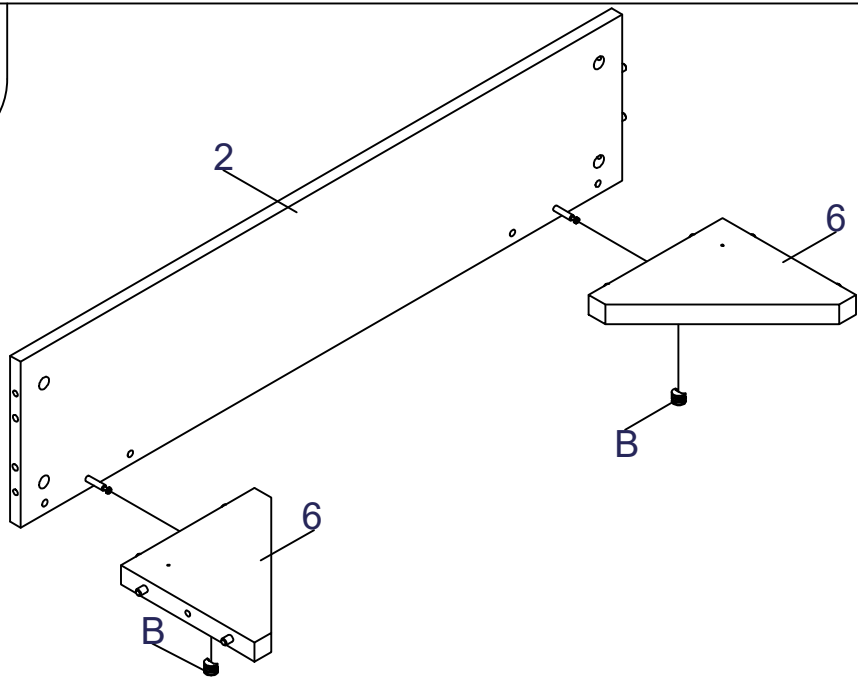
1



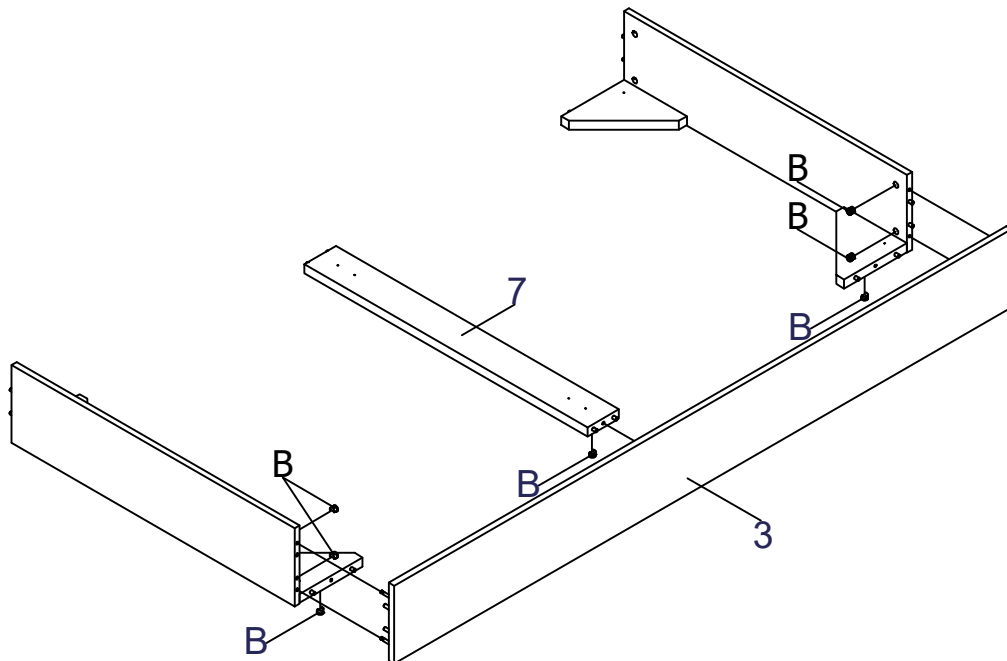
2



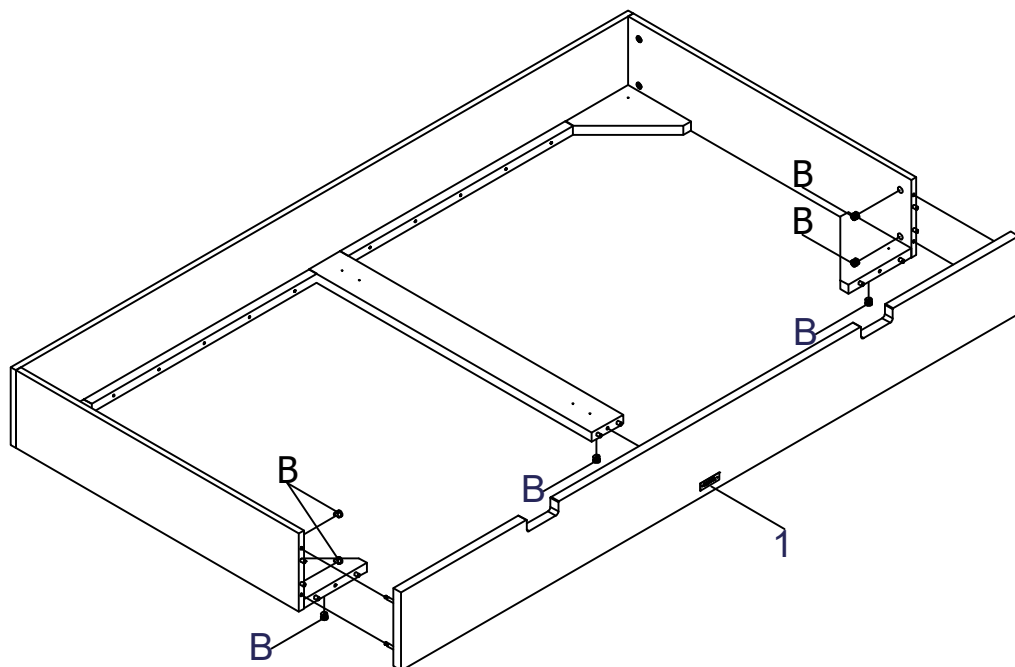
3



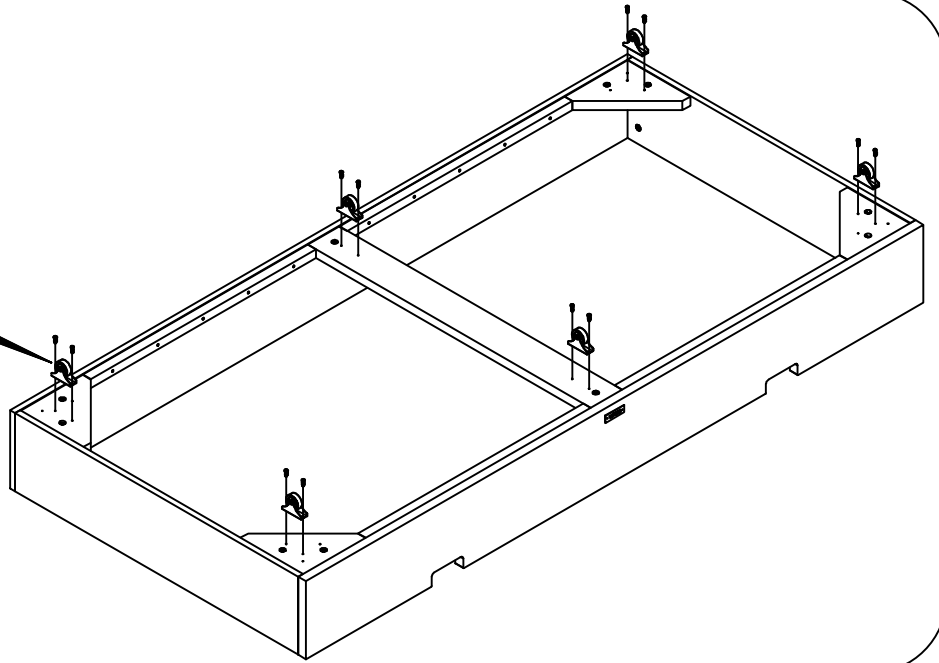
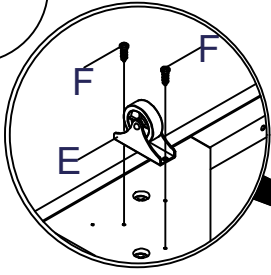
4



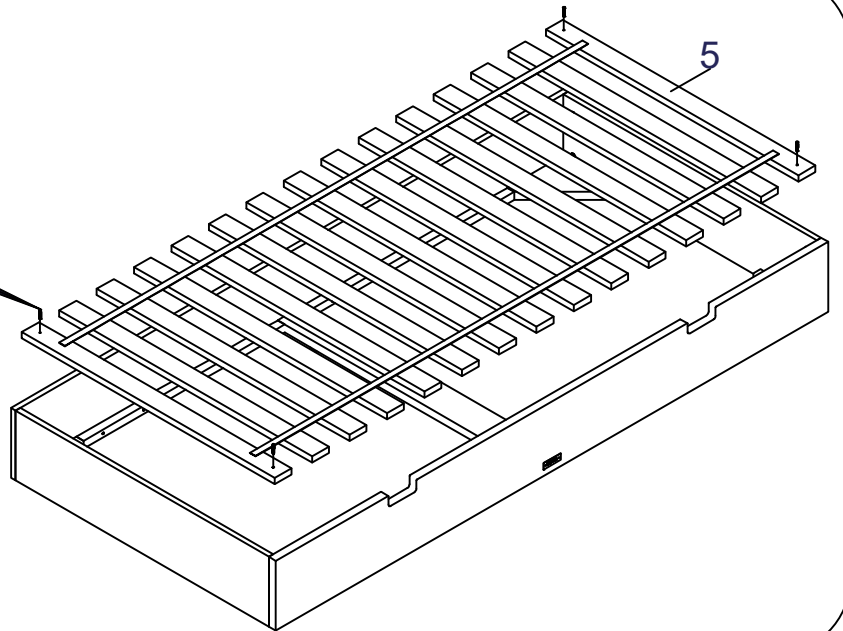
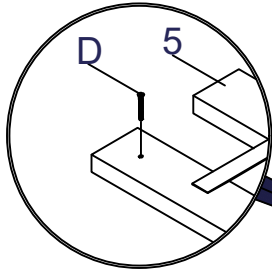
5



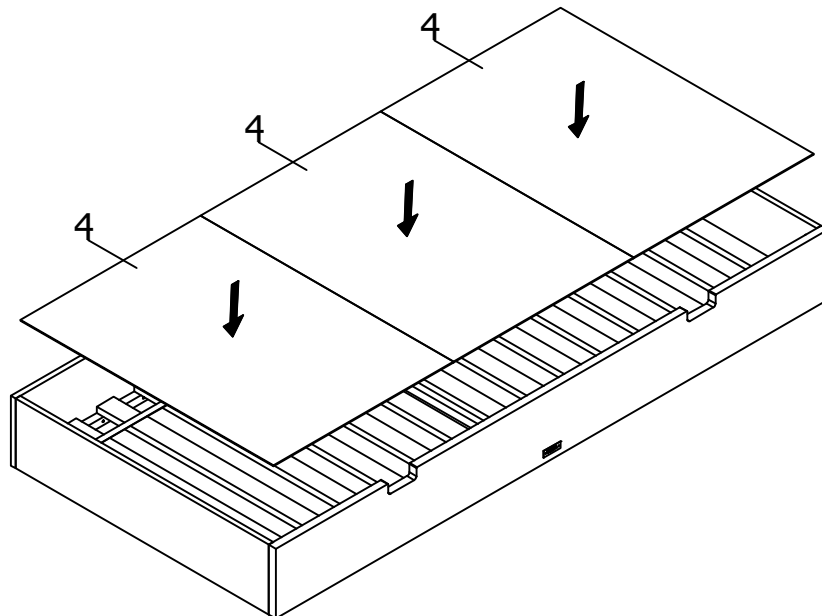
6



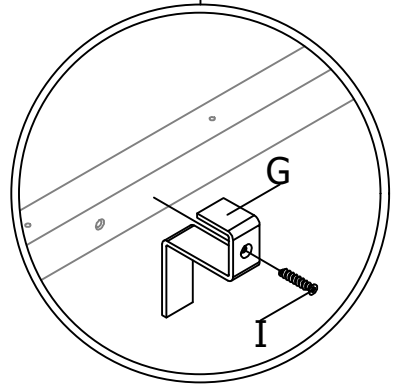
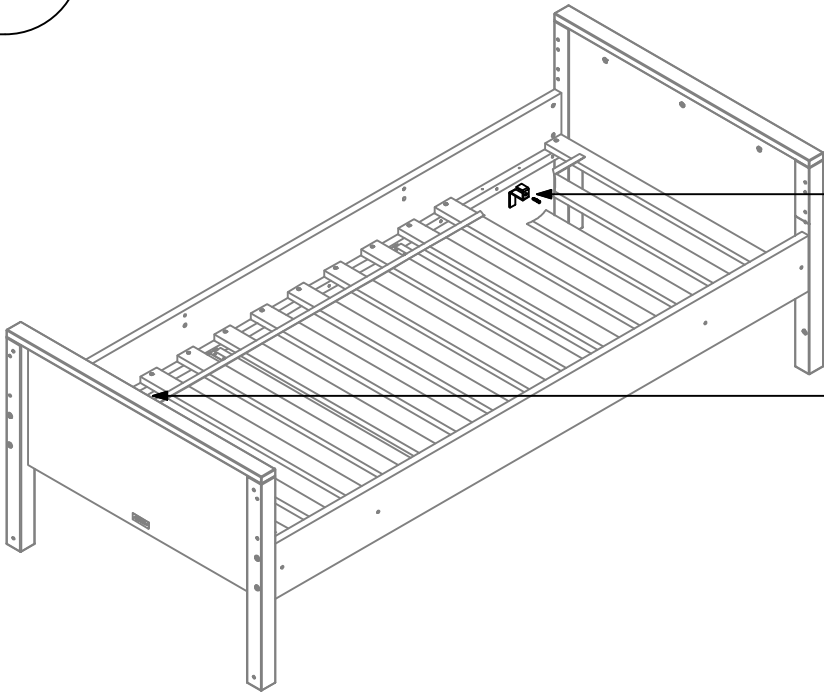
7



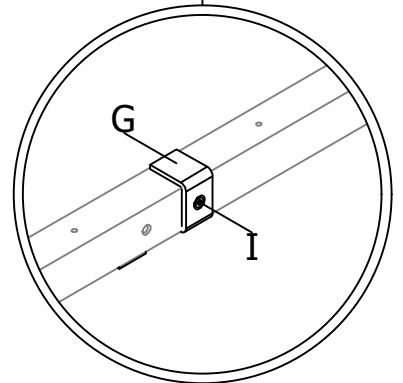
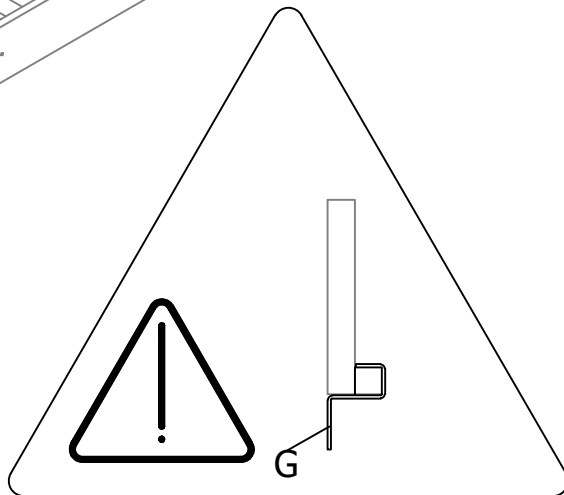
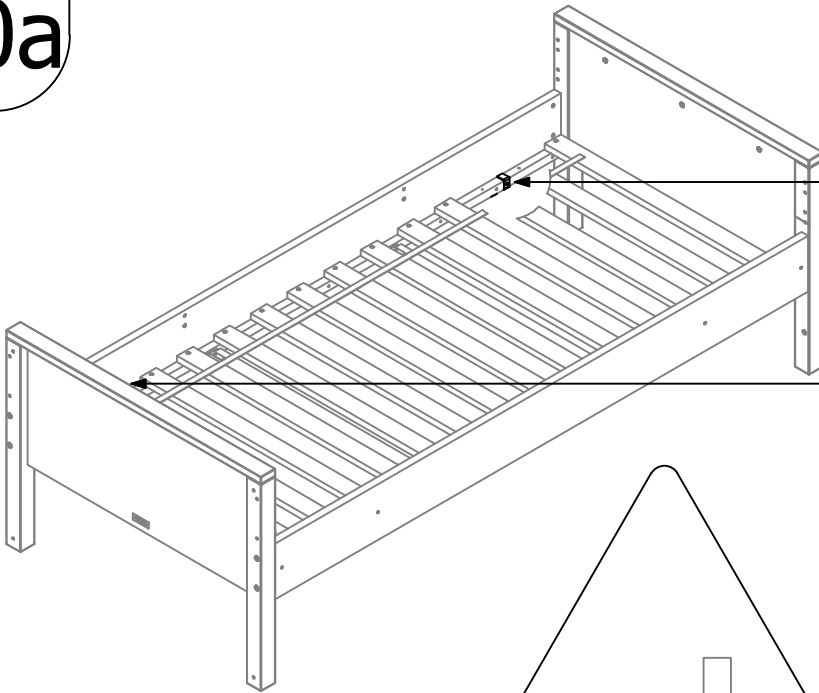
8



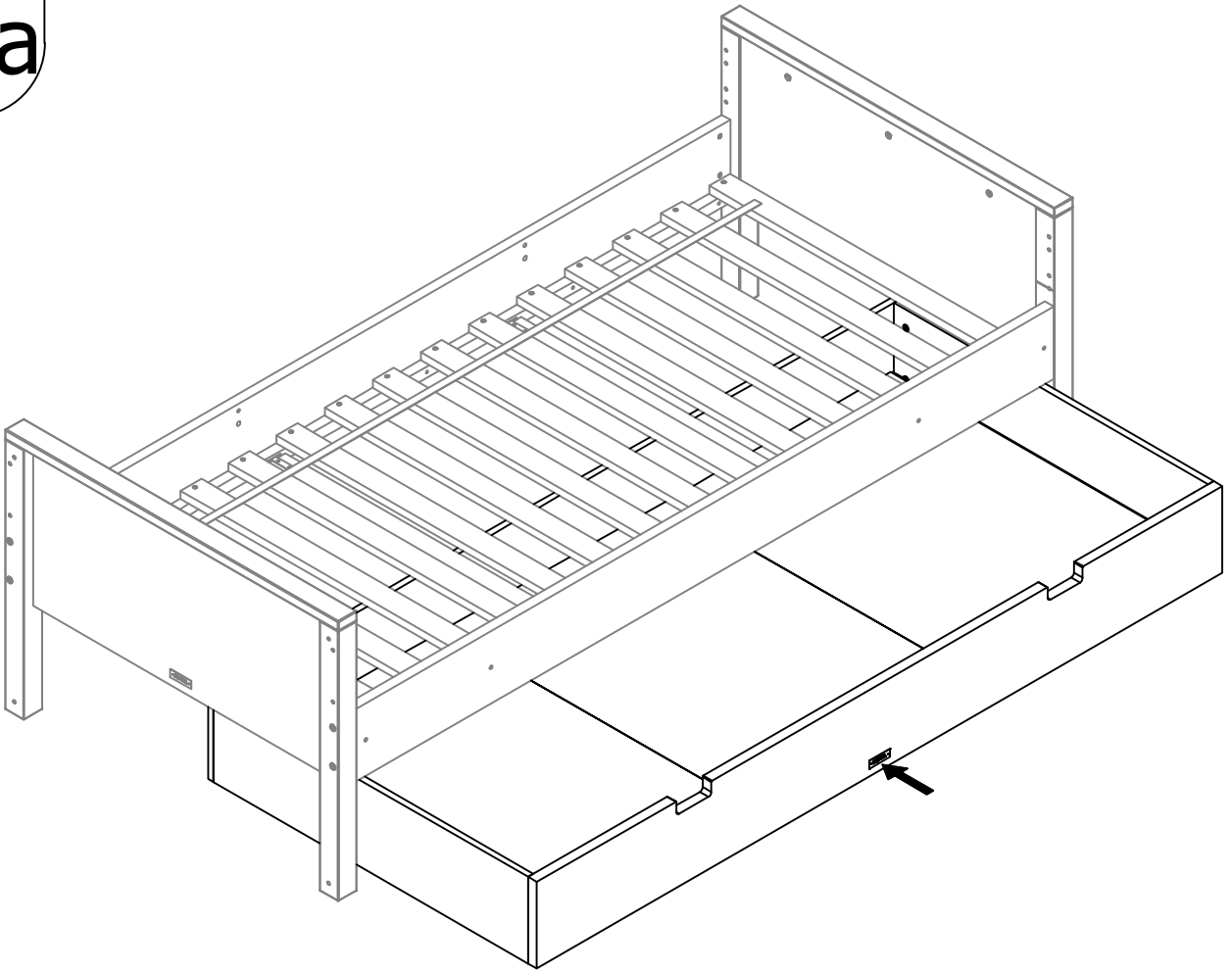
9a



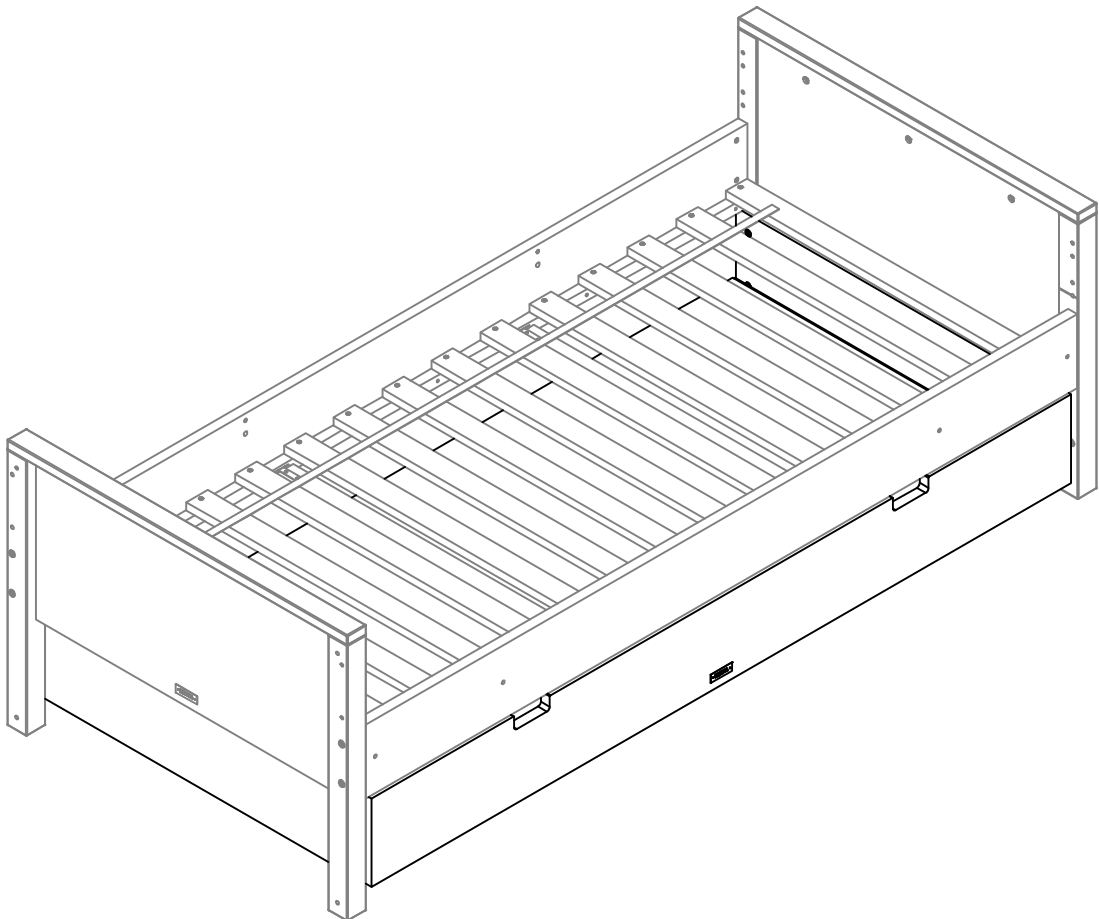
10a



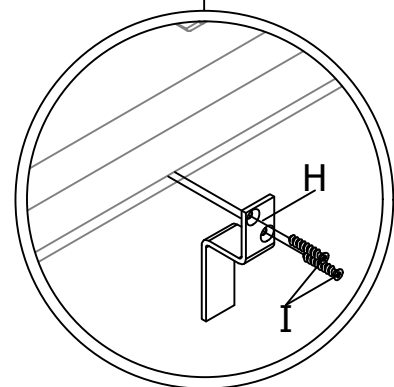
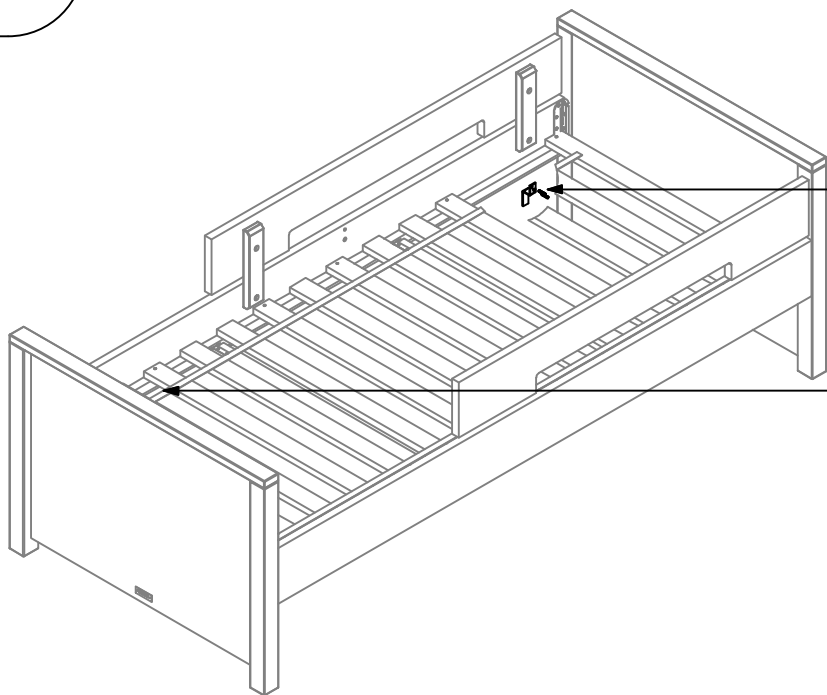
11a



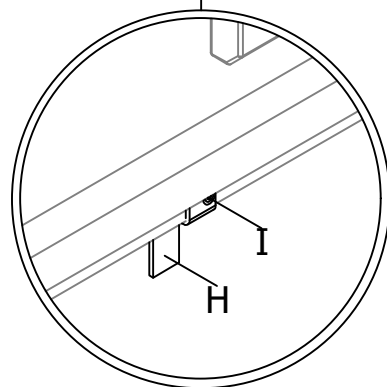
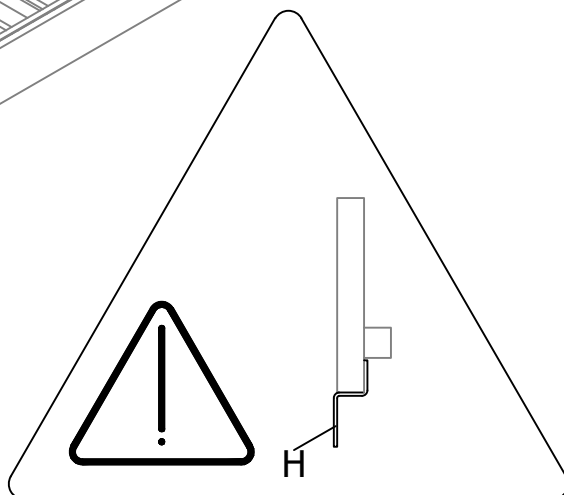
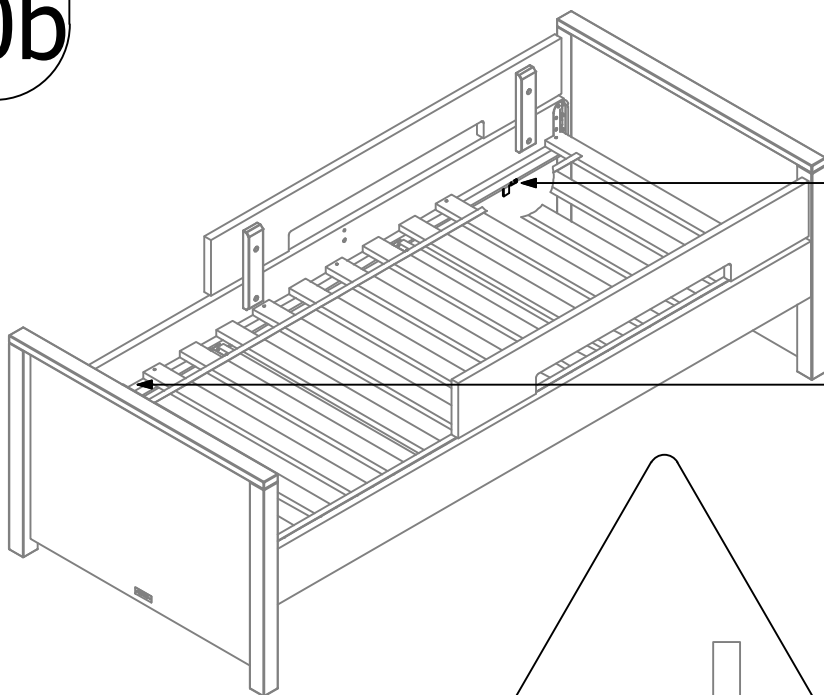
12a



9b

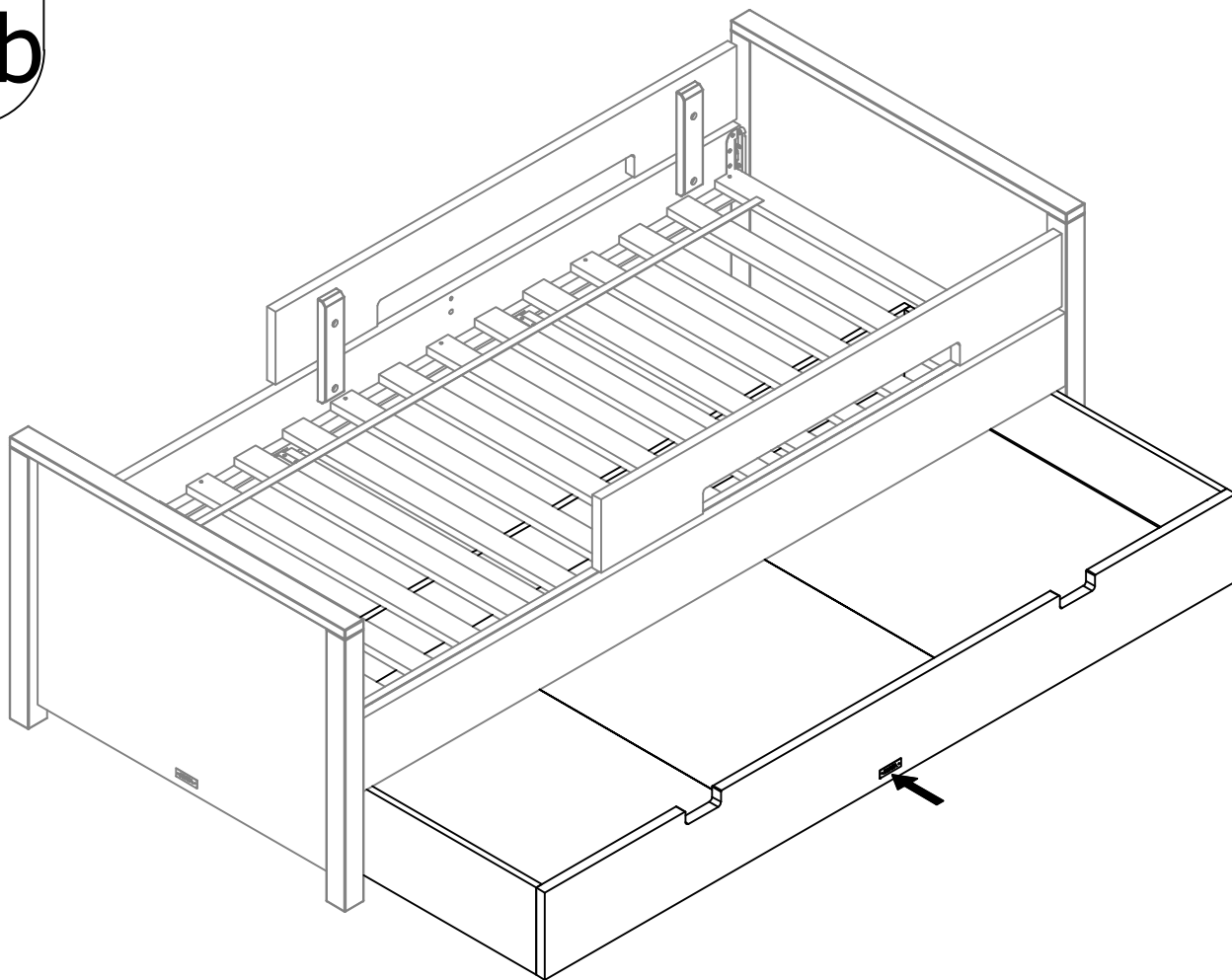


10b





11b



12b

